

CIVIC SEAT



Metal Art Limited
Street & Park Furniture

DESCRIPTION

Contoured 9 slat seat with robust galvanised support frame, available powder coated in any standard colour. Optional arms and fixing method.

SLAT DIMENSIONS

Section - 65 x 40mm (recycled plastic)

64 x 34mm (saligna)

Length - 1750mm

SLAT MATERIAL

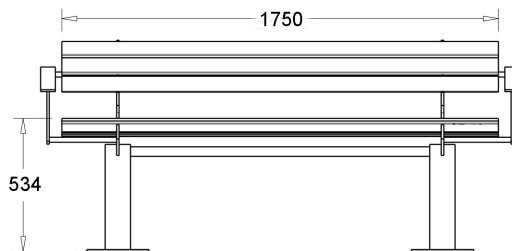
- Timber oiled (Eucalyptus Saligna)
- Mahogany stain (Eucalyptus Saligna)
- Recycled plastic
 - Green
 - Grey
 - Brown
 - Blue

MOUNTING

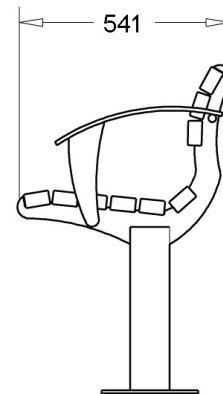
- Surface fixed
- In ground fixed
- Free standing

ARMS

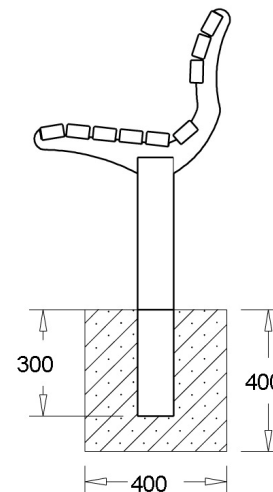
- Yes
- No



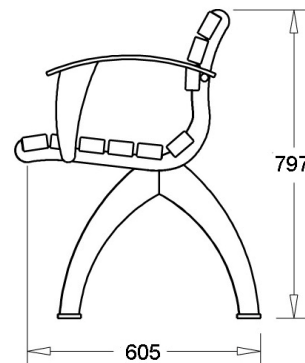
Surface fixed with arms



Surface fixed with arms



In ground fixed no arms



Free standing with arms



Metal Art Ltd

51 Port Road, Seaview
Wellington, New Zealand
Ph +64 4 939 6666
Fax +64 4 939 6696
info@metalart.co.nz
www.metalart.co.nz